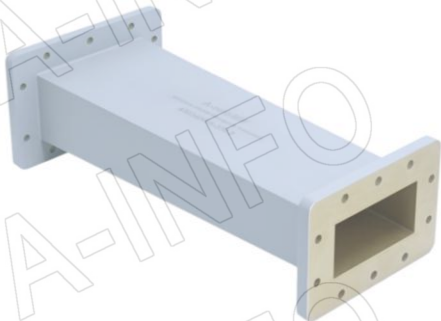


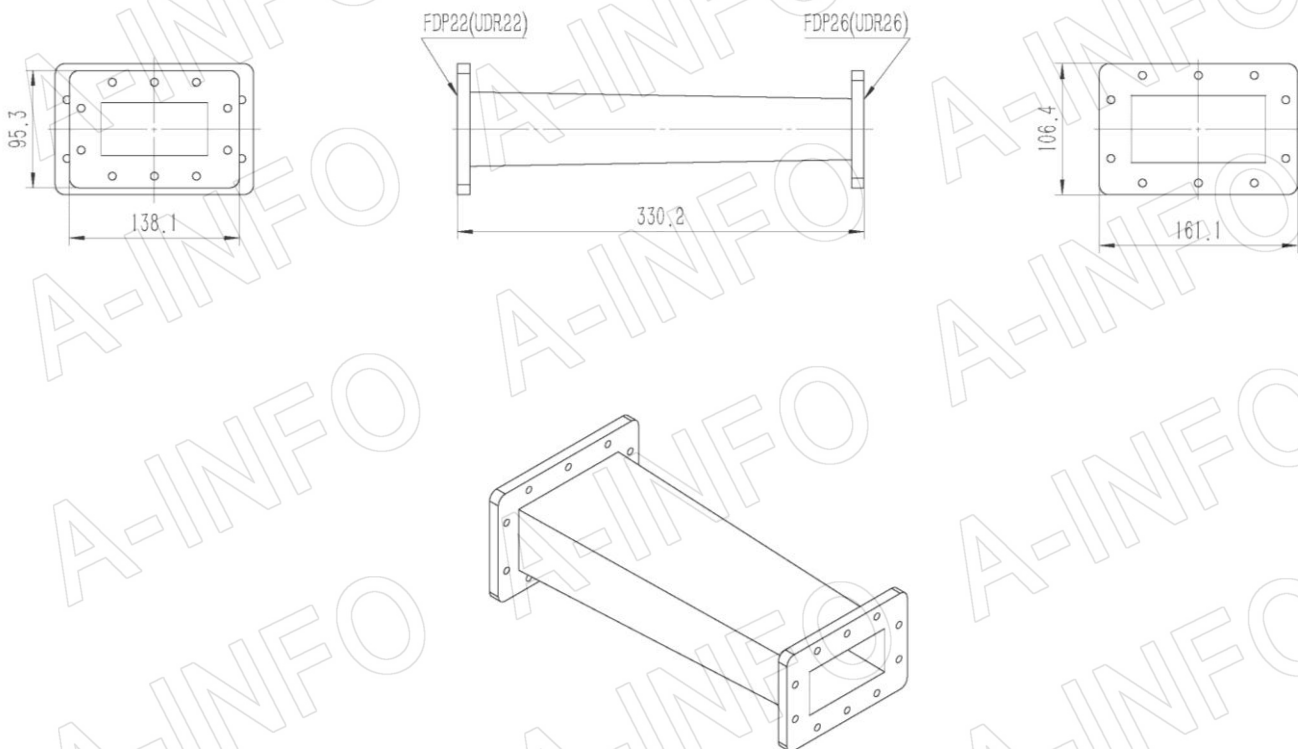
For reference only. See data sheet for the detailed specifications.

Technical Specification



EIA WR to WR	WR430 to WR340
Frequency Range(GHz)	2.2 – 2.6
Length(mm/inch)	330.2/13
Insertion Loss(dB)	0.1 Max.
VSWR	1.05:1 Max.
WR430 Flange	FDP22(UDR22)
WR340 Flange	FDP26(UDR26)
Material	Al
Size(mm)	330.2 x 161.1 x 106.4
Net Weight(Kg)	1.32 Around

Outline Drawing (Size: mm)



AINFO Inc.

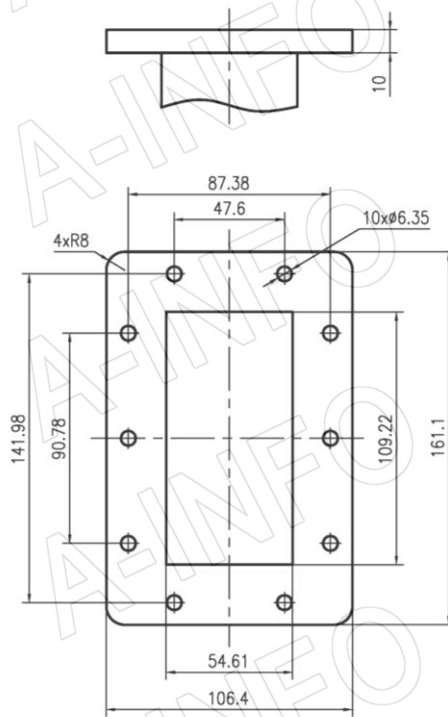
China(Beijing): Tel: (+86) 10-6266-7326,
 China(Chengdu): Tel: (+86) 28-8519-2786,
 USA : Tel: (+1) 949-639-9688,

Page 1 of 3

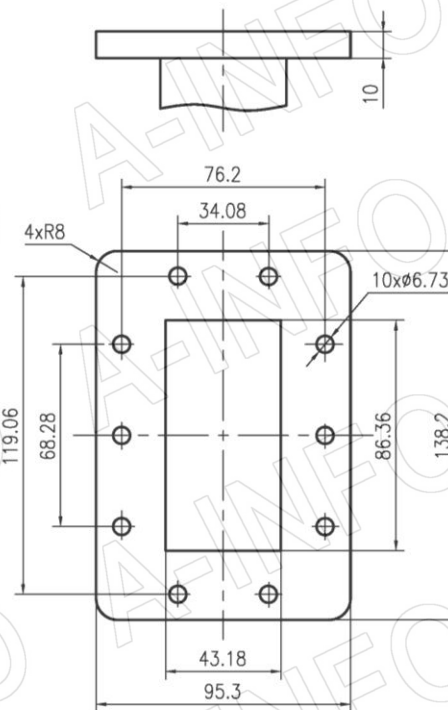
(+86) 10-6266-7327 Fax: (+86) 10-6266-7379
 (+86) 28-8519-3044 Fax: (+86) 28-8519-3068
 (+1) 949-639-9608 Fax: (+1) 949-639-9670

Website: www.ainfoinc.com
 Email: sales@ainfoinc.com

Flange Outline Drawing (Size: mm)



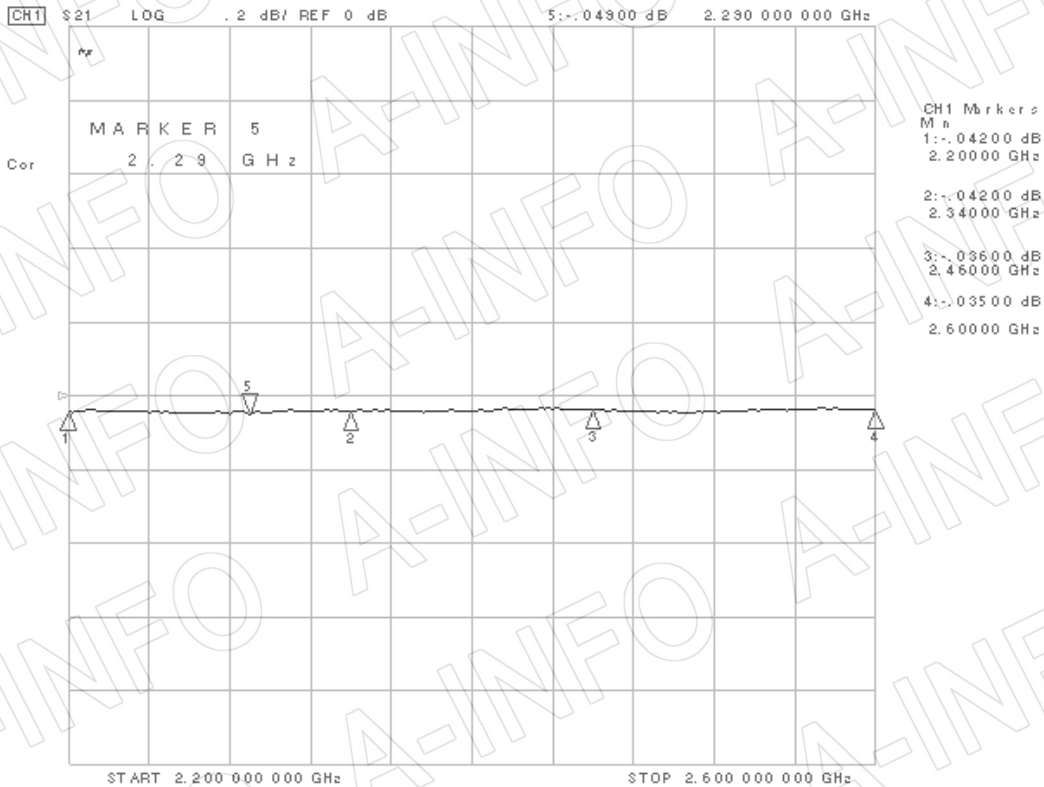
FDP22



FDP26

Test Results

Insertion Loss(Test with two transitions back to back)



VSWR

